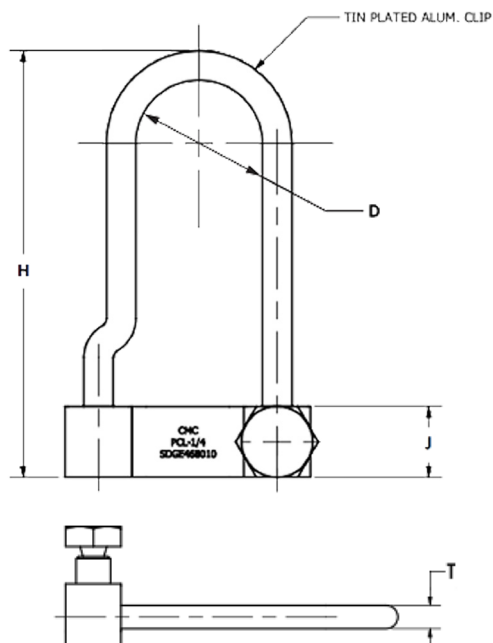


TYPE BPCL

Disposable Enclosure Locks

Disposable enclosure locks provide quick locking and serve as an alternative to using padlocks. Generally, disposable locks are used to ensure tamper-proof safety and are less expensive. Used where entry is not required on a regular basis, such as electric meters, truck/trailer doors, electrical cabinets, and shipping containers, these locks provide the security of a shear head screw during installation. Available in 4 different designs, they are packaged 20 pieces to a bag.



Features and Benefits

- Alternative to padlocks
- Economical
- Corrosion free
- Adjustable to fit any hasp
- Excellent for locking points that are accessed infrequently
- Provide a more substantial solution than a wire seal
- Shear head screw provides easy installation and tamper proof security



Fig. 1



Fig. 2



Fig. 3

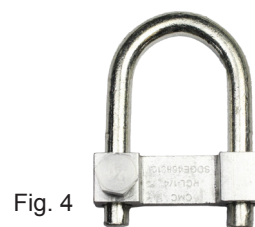


Fig. 4

Catalog Number	Figure #	Dimensions in Inches			
		H Height of Enclosure Lock	J Bolt Hex	D Clip Inside Diameter	T Clip Thickness
BPCL1	1	3.00	0.375	0.88	0.21
BPCL2	2	2.38	0.375	0.99	0.16
BPCL3	3	3.25	0.375	2.13	0.16
BPCL4	4	2.28	0.375	0.99	0.26